

## 5.3 kV TRIOS® High Reliability Optocouplers

### FEATURES

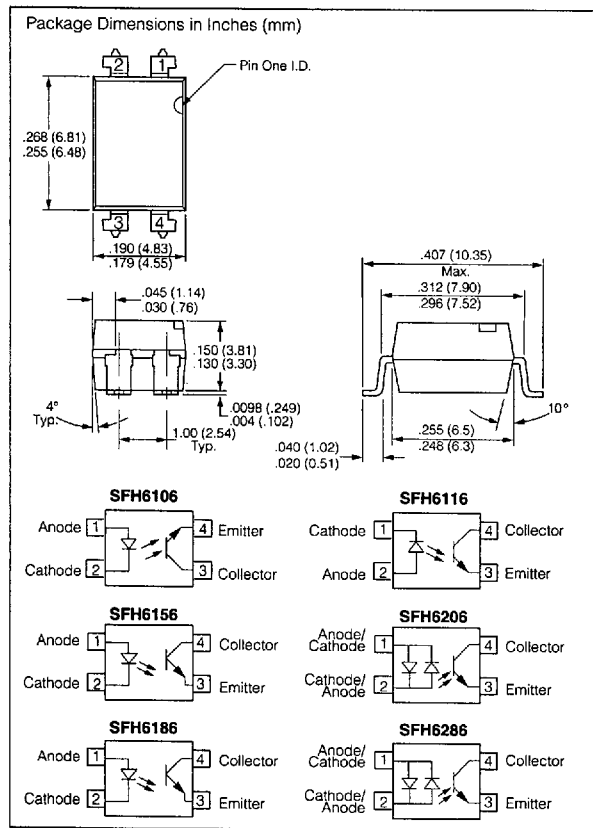
- SMD Versions of SFH610, 611, 615, 618, 620, 628
- Available on Tape and Reel  
—To Order Use Suffix "T"
- TRIOS — Transparent ION Shield

### DESCRIPTION

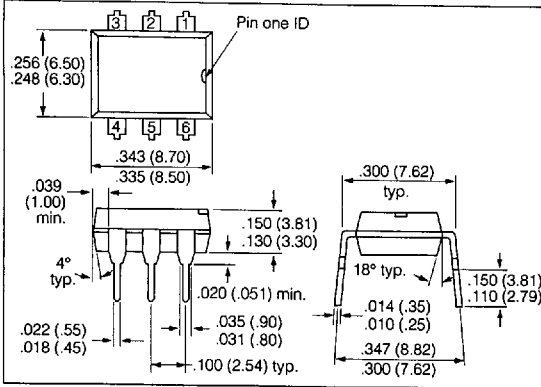
The SFH6106, 6116, 6156, 6186, 6206, 6286 families of optocouplers are lead bent for SMD applications. They are electrically equivalent to the SFH610, 611, 615, 618, 620, and 628 families of optocouplers.

### CROSS REFERENCE

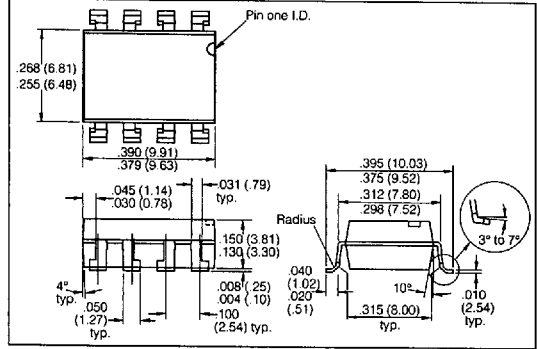
SMD	Thru-hole	
	New Designs	Not for New Design
SFH6106-1 SFH6106-2 SFH6106-3 SFH6106-4	SFH610A-1 SFH610A-2 SFH610A-3 SFH610A-4	SFH610-1 SFH610-2 SFH610-3 SFH610-4
SFH6116-1 SFH6116-2 SFH6116-3 SFH6116-4	SFH611A-1 SFH611A-2 SFH611A-3 SFH611A-4	SFH611-1 SFH611-2 SFH611-3 SFH611-4
SFH6156-1 SFH6156-2 SFH6156-3 SFH6156-4	SFH615A-1 SFH615A-2 SFH615A-3 SFH615A-4	SFH615-1 SFH615-2 SFH615-3 SFH615-4
SFH6186-2 SFH6186-3 SFH6186-4 SFH6186-5	SFH618A-2 SFH618A-3 SFH618A-4 SFH618A-5	SFH618-2 SFH618-3 SFH618-4 SFH618-5
SFH6206-1 SFH6206-2 SFH6206-3	SFH620A-1 SFH620A-2 SFH620A-3	SFH620-1 SFH620-2 SFH620-3
SFH6286-2 SFH6286-3 SFH6286-4	SFH628A-2 SFH628A-3 SFH628A-4	SFH628-2 SFH628-3 SFH628-4



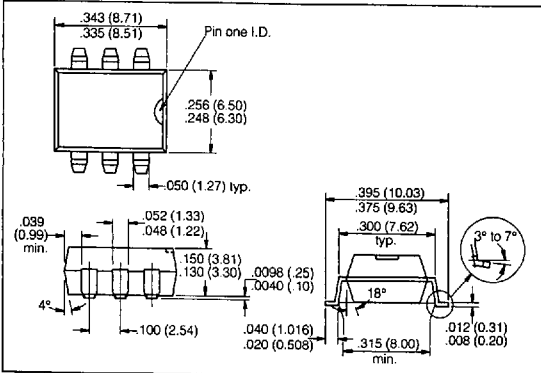
**Figure 1. 6-pin DIP**



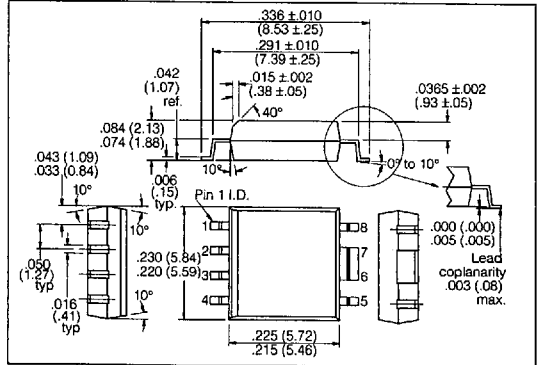
**Figure 4. 8-pin, SMD**



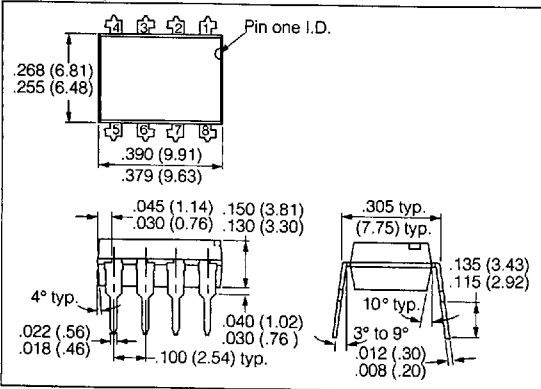
**Figure 2. 6-pin, SMD**



**Figure 5. 8-pin SOP (PCMCIA)**



**Figure 3. 8-pin DIP**



**Figure 6. 18-pin SOP (PCMCIA)**

